

ON-PREMISES LAUNDRY



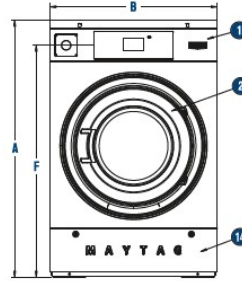
15012 Eddie Drive
Humble, Texas 77396
281-441-2465
800-456-2378
281-441-2933 (fax)
www.bestwashinc.com



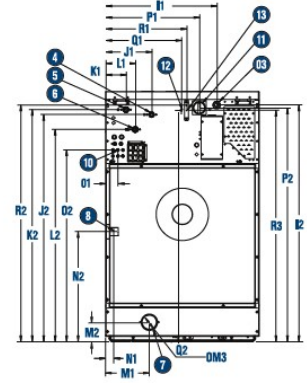
SOFT-MOUNT SPECIFICATIONS



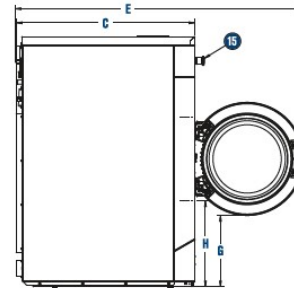
MYS20FN Shown



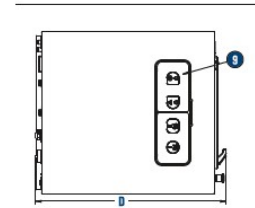
FRONT ELEVATION



BACK ELEVATION



SIDE ELEVATION



TOP ELEVATION

DIAGRAM KEY

- 1 Control Console
- 2 Loading Door
- 3 Electric Connection
- 4 Hot Water
- 5 Cold Water
- 6 Third Water
- 7 Drain
- 8 Steam Connection
- 9 Soap Dispenser
- 10 Automatic Liquid Soap Manifold
- 11 Electric Disconnect
- 12 USB
- 13 Fuses
- 14 Toe Panel
- 15 Stop Switch

		A	B	C	D	E	F	G	H	I1	I2	J1	J2	K1	K2	L1	L2	M1	M2	OM3	N1	N2	O1	O2	P1	P2	Q1	Q2	R1	R2	R3
20S	MM	1112	711	720	781	1170	993	353	423	502	1048	225	1003	101	1028	146	930	229	90	70	N/A	N/A	70	826	419	1035	330	1023	355	1048	1023
	INCH	43 3/4	28	28 3/8	30 3/4	46	39 1/4	13 7/8	16 1/4	19 3/4	41 1/4	8 7/8	39 1/2	4	40 1/2	5 3/4	36 3/4	9	3 1/2	2 3/4	N/A	N/A	2 3/4	32 1/2	16 1/2	40 3/4	13	40 1/4	14	41 1/4	40 1/4
30S	MM	1222	794	872	935	1409	1103	348	420	588	1159	225	1112	101	1137	146	1041	229	90	70	N/A	N/A	70	936	502	1146	416	1133	441	1159	1133
	INCH	48 1/8	31 1/4	34 1/4	36 3/4	55 1/2	43 3/8	13 3/4	16 1/2	23 1/8	45 5/8	8 7/8	43 3/4	4	44 3/4	5 3/4	41	9	3 1/2	2 3/4	N/A	N/A	2 3/4	36 7/8	19 3/4	45 1/4	16 3/8	44 5/8	17 1/4	45 5/8	44 1/4
40S	MM	1410	970	901	954	1477	1290	475	546	657	1347	300	1228	175	1324	175	1228	270	111	70	63	698	70	1094	572	1334	486	1321	511	1347	1321
	INCH	55 1/2	38 1/4	35 1/2	37 1/2	58 1/8	50 3/4	18 3/4	21 1/2	25 7/8	53	11 3/4	48 3/4	6 7/8	52 1/8	6 7/8	48 1/4	10 5/8	4 3/8	2 3/4	2 1/2	27 1/2	2 3/4	43 1/8	22 1/2	52 1/2	19 1/8	52	20 3/8	53	52
55S	MM	1410	970	1036	1100	1624	1290	475	546	657	1347	300	1228	175	1324	175	1228	270	111	70	63	698	70	1094	572	1334	486	1321	511	1347	1321
	INCH	55 1/2	38 1/4	40 3/4	43 1/4	64	50 3/4	18 3/4	21 1/2	25 7/8	53	11 3/4	48 3/4	6 7/8	52 1/8	6 7/8	48 1/4	10 5/8	4 3/8	2 3/4	2 1/2	27 1/2	2 3/4	43 1/8	22 1/2	52 1/2	19 1/8	52	20 3/8	53	52
65S	MM	1410	970	1110	1173	1697	1290	475	546	657	1347	300	1228	175	1324	175	1228	270	111	70	63	698	70	1094	572	1334	486	1321	511	1347	1321
	INCH	55 1/2	38 1/4	43 3/4	46 1/8	66 3/4	50 3/4	18 3/4	21 1/2	25 7/8	53	11 3/4	48 3/4	6 7/8	52 1/8	6 7/8	48 1/4	10 5/8	4 3/8	2 3/4	2 1/2	27 1/2	2 3/4	43 1/8	22 1/2	52 1/2	19 1/8	52	20 3/8	53	52



Three-Year Limited Warranty on Parts. For the first three (3) years from the date of purchase, when this commercial appliance is installed, maintained, and operated according to the instructions attached to or furnished with the product, Maytag® Commercial Laundry brand of Whirlpool Corporation (hereafter "Maytag") will pay for factory-specified parts or original equipment manufacturer parts to correct defects in materials or workmanship.

Fourth- and Fifth-Year Limited Warranty on Certain Parts. In the fourth year and fifth years from the date of purchase, Maytag will pay for the following washer parts: the outer shell, drum and shaft assembly, inner welded frame, and bearings and seals.

Visit maytagcommerciallaundry.com for warranty details.