

VENDED LAUNDRY



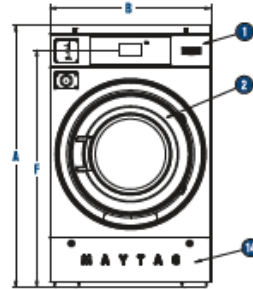
15012 Eddie Drive
Humble, Texas 77396
281-441-2465
800-456-2378
281-441-2933 (fax)
www.bestwashinc.com



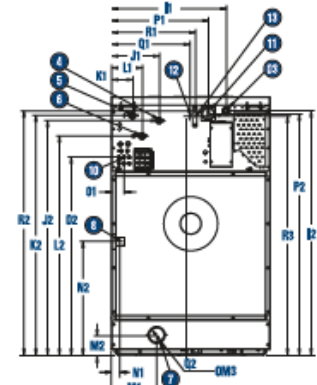
RIGID-MOUNT SPECIFICATIONS



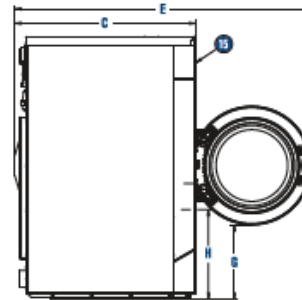
MYR56PD Shown



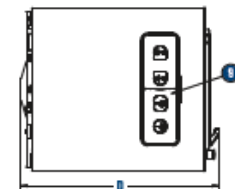
FRONT ELEVATION



BACK ELEVATION



SIDE ELEVATION



TOP ELEVATION

DIAGRAM KEY

- 1 Control Console
- 2 Loading Door
- 3 Electric Connection
- 4 Hot Water
- 5 Cold Water
- 6 Third Water
- 7 Drain
- 8 Steam Connection
- 9 Soap Dispenser
- 10 Automatic Liquid Soap Manifold
- 11 Electric Disconnect
- 12 USB
- 13 Fuses
- 14 Toe Panel
- 15 Payment Mech. Location

		A	B	C	D	E	F	G	H	I1	I2	J1	J2	K1	K2	L1	L2	M1	M2	OM3	N1	N2	O1	O2	P1	P2	Q1	Q2	R1	R2	R3
20R	MM	1112	660	685	772	1150	994	356	425	451	1045	225	1000	101	1023	146	927	188	95	70	N/A	N/A	60	826	368	1032	280	1019	305	1054	1019
	INCH	43 3/4	26	27	30 3/4	45 3/8	39 1/8	14	16 3/4	17 3/4	41 1/4	8 7/8	39 3/8	4	40 1/4	5 7/8	36 1/4	6 3/4	3 3/4	2 3/4	N/A	N/A	2 1/2	32 1/2	14 1/2	40 3/4	11	40 1/4	12	41 3/4	40 3/4
25R	MM	1222	750	724	791	1264	1100	346	419	543	1156	225	1100	101	1133	146	1035	213	95	70	N/A	N/A	70	937	450	1140	371	1130	394	1155	1130
	INCH	48 1/8	29 1/2	28 1/2	31 1/4	49 3/8	43 3/8	13 5/8	16 1/2	21 1/4	45 1/8	8 7/8	43 3/8	4	44 1/2	5 3/4	40 3/4	8 1/2	3 3/4	2 3/4	N/A	N/A	2 3/4	36 3/4	18	44 1/4	14 1/4	44 1/2	15 1/4	45 1/4	44 1/4
30R	MM	1222	750	841	805	1378	1100	346	419	543	1156	225	1100	101	1133	146	1035	213	95	70	N/A	N/A	70	937	450	1140	371	1130	394	1155	1130
	INCH	48 1/8	29 1/2	32 3/4	31 3/8	54 1/8	43 3/8	13 5/8	16 1/2	21 1/4	45 1/8	8 7/8	43 3/8	4	44 1/2	5 3/4	40 3/4	8 1/2	3 3/4	2 3/4	N/A	N/A	2 3/4	36 3/4	18	44 1/4	14 1/4	44 1/2	15 1/4	45 1/4	44 1/4
40R	MM	1410	880	883	846	1470	1280	467	517	578	1343	289	1244	175	1321	175	1234	283	133	70	45	534	70	1085	492	1330	406	1317	429	1343	1318
	INCH	55 1/2	35	34 3/4	33 1/4	57 3/4	50 3/4	18 3/4	20 3/4	22 3/4	52 1/4	11 1/4	49	6 7/8	52	6 7/8	48 3/8	11 1/4	5 1/4	2 3/4	1 3/4	21	2 3/4	43 3/4	19 3/4	52 1/4	16	51 3/4	16 3/4	52 1/4	51 1/4
55R	MM	1410	880	1019	1083	1607	1280	467	517	578	1343	289	1244	175	1321	175	1234	283	133	70	45	534	70	1085	492	1330	406	1317	429	1343	1318
	INCH	55 1/2	35	40 1/4	42 3/4	63 1/4	50 3/4	18 3/4	21 1/4	22 3/4	52 1/4	11 1/4	49	6 7/8	52	6 7/8	48 3/8	11 1/4	5 1/4	2 3/4	1 3/4	21	2 3/4	43 3/4	19 3/4	52 1/4	16	51 3/4	16 3/4	52 1/4	51 1/4
65R	MM	1410	880	1012	1156	1680	1280	467	517	578	1343	289	1244	175	1321	175	1234	283	133	70	45	534	70	1085	492	1330	406	1317	429	1343	1318
	INCH	55 1/2	35	40	45 1/2	66 1/4	50 3/4	18 3/4	21 1/4	22 3/4	52 1/4	11 1/4	49	6 7/8	52	6 7/8	48 3/8	11 1/4	5 1/4	2 3/4	1 3/4	21	2 3/4	43 3/4	19 3/4	52 1/4	16	51 3/4	16 3/4	52 1/4	51 1/4



Five-Year Limited Warranty on Parts (Parts Only – Labor Not Included). For the first five years from the original date of purchase, when this commercial appliance is installed, operated, and maintained according to the instructions attached to or furnished with the product, Maytag® Commercial Laundry brand of Whirlpool Corporation (hereafter "Maytag") will pay for factory-specified replacement parts to correct defects in materials or workmanship that existed when this commercial appliance was purchased. This limited warranty does not include labor.

Sixth- Through Tenth-Year Limited Warranty (Certain Component Parts Only). In the Sixth through Tenth years from the date of original purchase, when this commercial appliance is installed, operated, and maintained according to instructions attached to or furnished with the product, Maytag will pay for factory-specified replacement parts for the following components to correct non-cosmetic defects in materials or workmanship in the parts that prevent function of the product and that existed when this commercial appliance was purchased. This is a limited 10-year warranty on the named parts only and does not include labor: outer shell, drum and shaft assembly, inner welded frame, and bearings and seals.

Visit maytagcommerciallaundry.com for warranty details.